



**Border®**  
ReadyLatch® Quiet-Close™ elongated toilet seat with  
antimicrobial agent  
**K-24495-A**

### Features

- Grip-Tight installation hardware makes it easy to fasten the seat – everything is done from above the bowl
- ReadyLatch® hinge provides a positive lock/unlock latch to securely hold seat in position, yet seat easily removes for cleaning or adjusting fit
- Grip-Tight bumpers hold seat firmly in place
- Quiet-Close™ elongated lid and seat prevents slamming
- Elongated closed-front seat
- Contoured seat for user comfort
- Antimicrobial agent inhibits growth of odor-causing bacteria, mold, and mildew. This product does not protect users against bacteria, viruses, or other disease organisms. Always clean and wash this product thoroughly before and after each use

### Material

- Plastic construction



### Codes/Standards

None Applicable

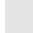

### KOHLER® One-Year Limited Warranty

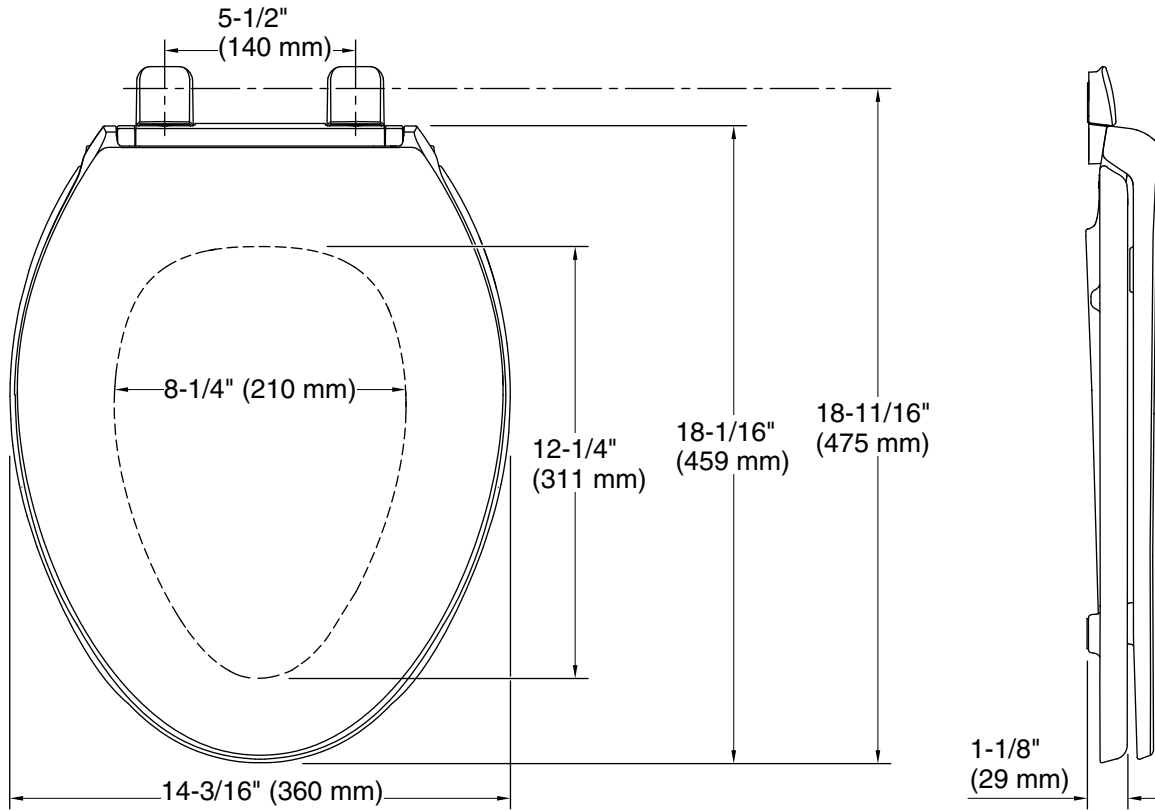
See website for detailed warranty information.

### Available Colors/Finishes

*Color tiles intended for reference only.*

Color	Code	Description
-------	------	-------------

	0	White
	96	Biscuit



### Technical Information

All product dimensions are nominal.

Seat shape type: Elongated  
Seat front type: Closed-front  
Seat-mounting holes: 5-1/2" (140 mm)

### Notes

Install this product according to the installation instructions.